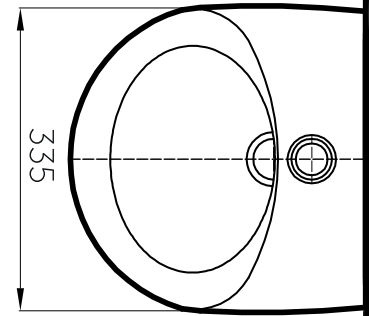


Plano técnico

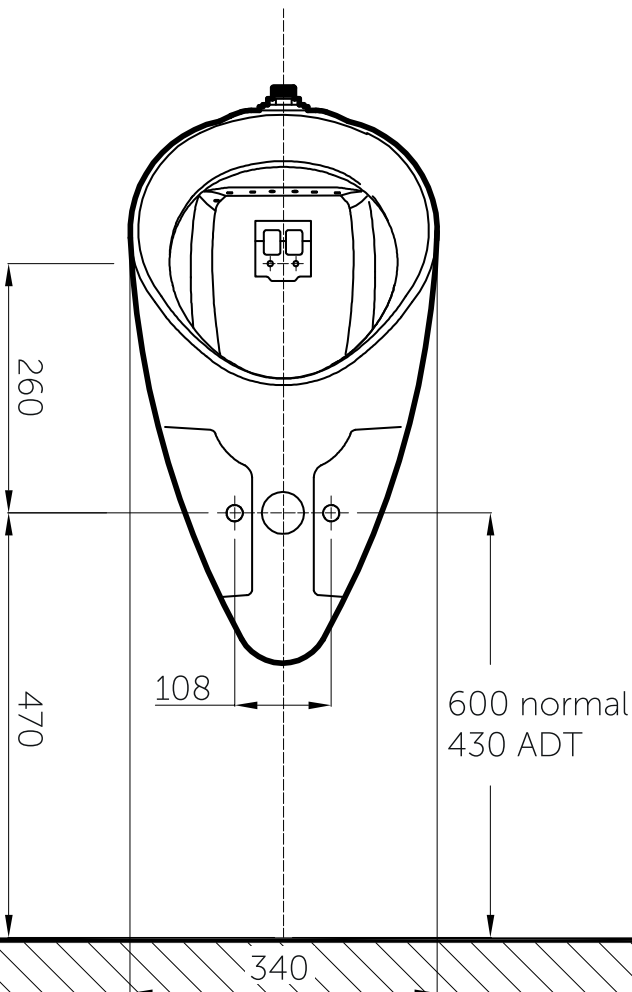
Technical Drawing

VISTA SUPERIOR / TOP VIEW

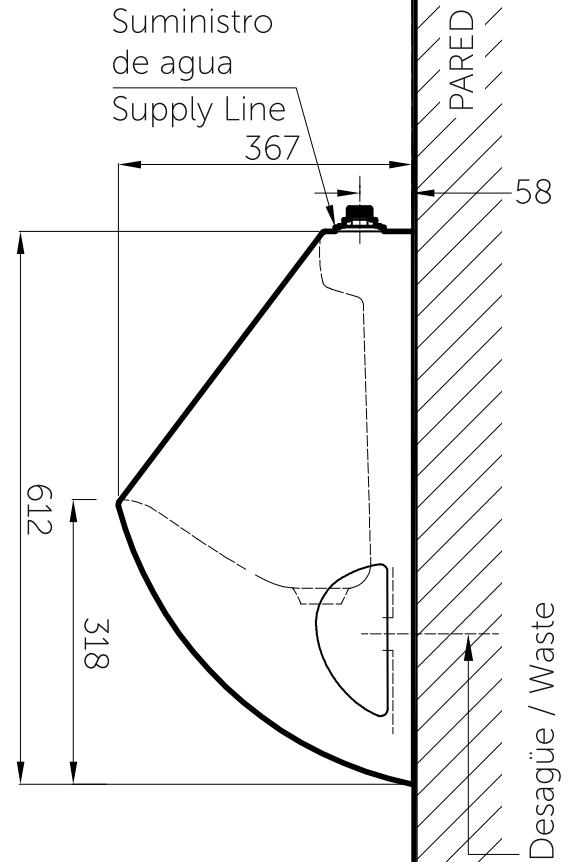


PARED TERMINADA / FINISHED WALL

VISTA FRONTAL / FRONT VIEW



VISTA LATERAL / LATERAL VIEW



PISO TERMINADO / FINISHED FLOOR

Unidades / Units: mm.