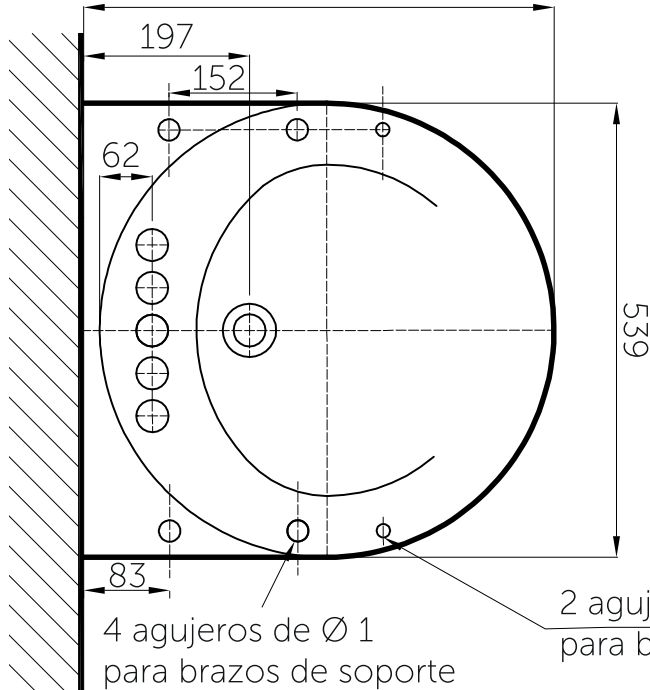


# Plano técnico

## Technical Drawing

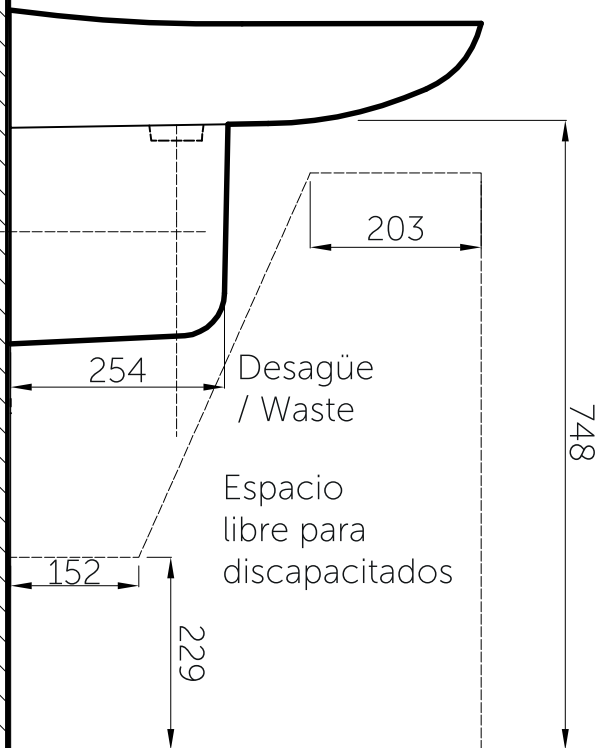
VISTA SUPERIOR / TOP VIEW

559

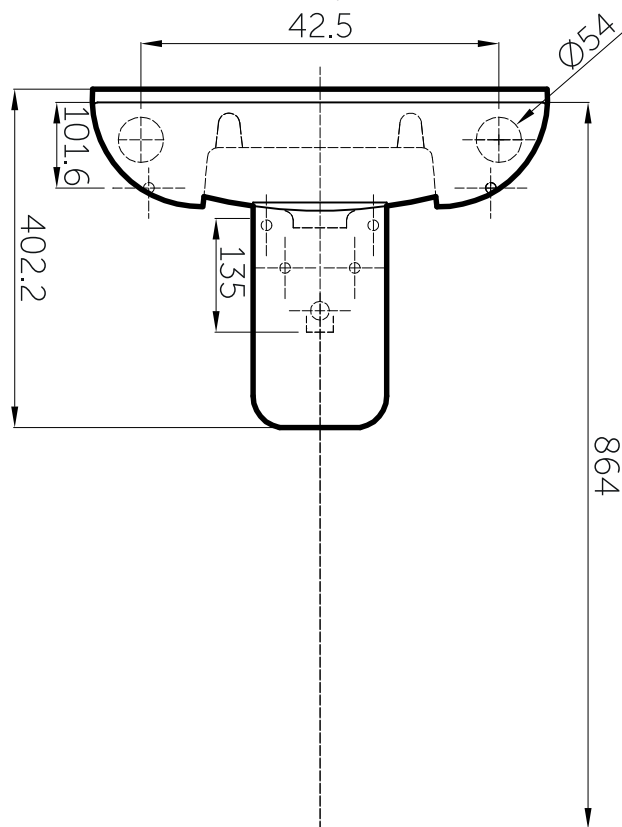


VISTA LATERAL / LATERAL VIEW

PARED TERMINADA / FINISHED WALL



VISTA FRONTAL / FRONT VIEW



PISO TERMINADO / FINISHED FLOOR

Unidades / Units: mm.