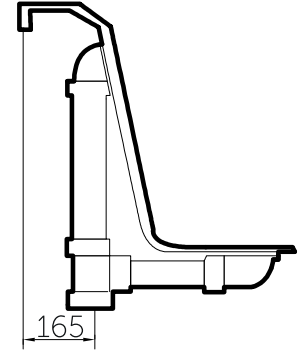
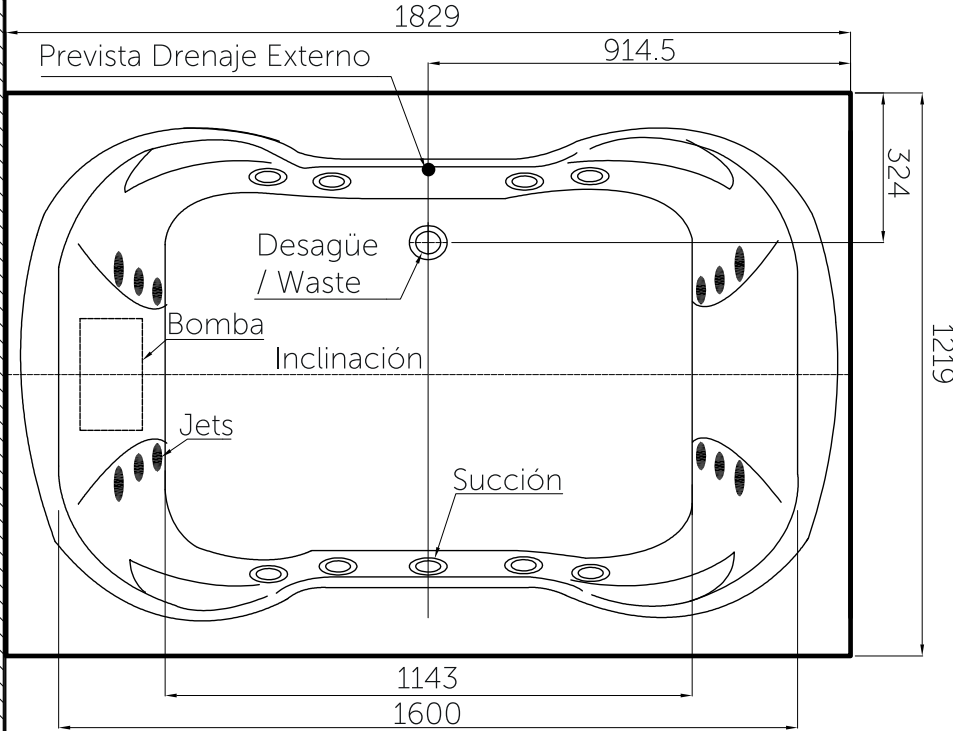


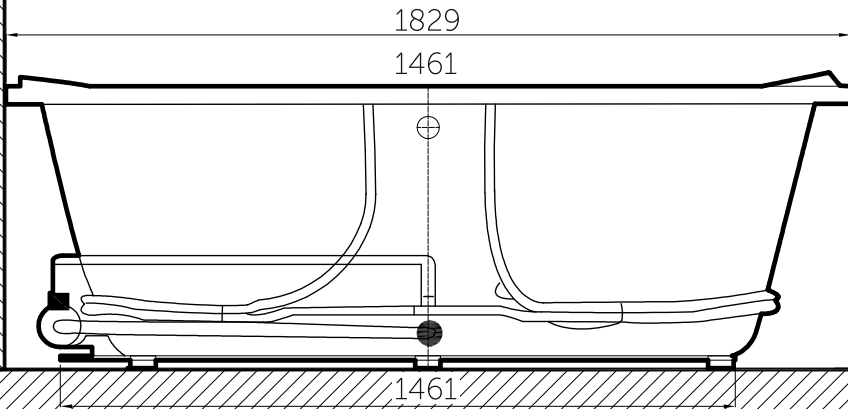
Plano técnico

Technical Drawing

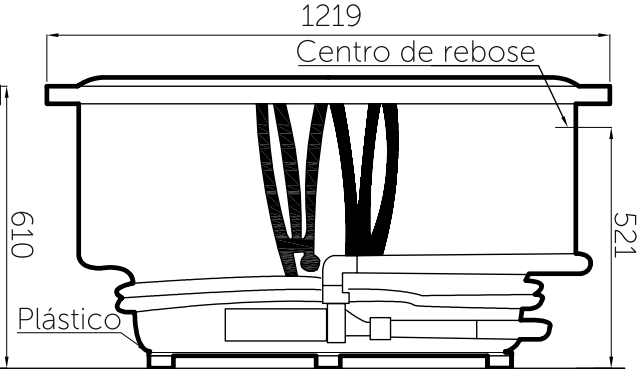
VISTA SUPERIOR / TOP VIEW



VISTA LATERAL / LATERAL VIEW



VISTA POSTERIOR / REAR VIEW



PARED TERMINADA / FINISHED WALL

PISO TERMINADO / FINISHED FLOOR

Unidades / Units: mm.