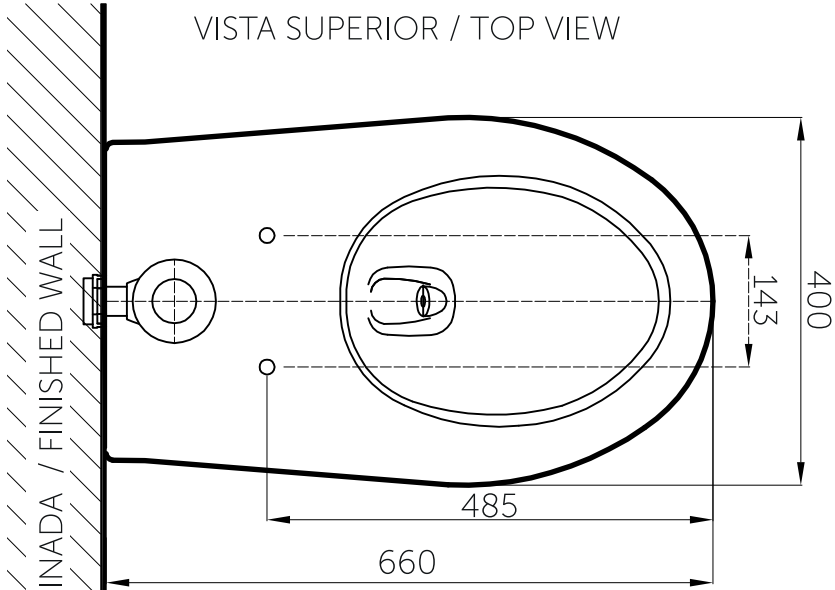


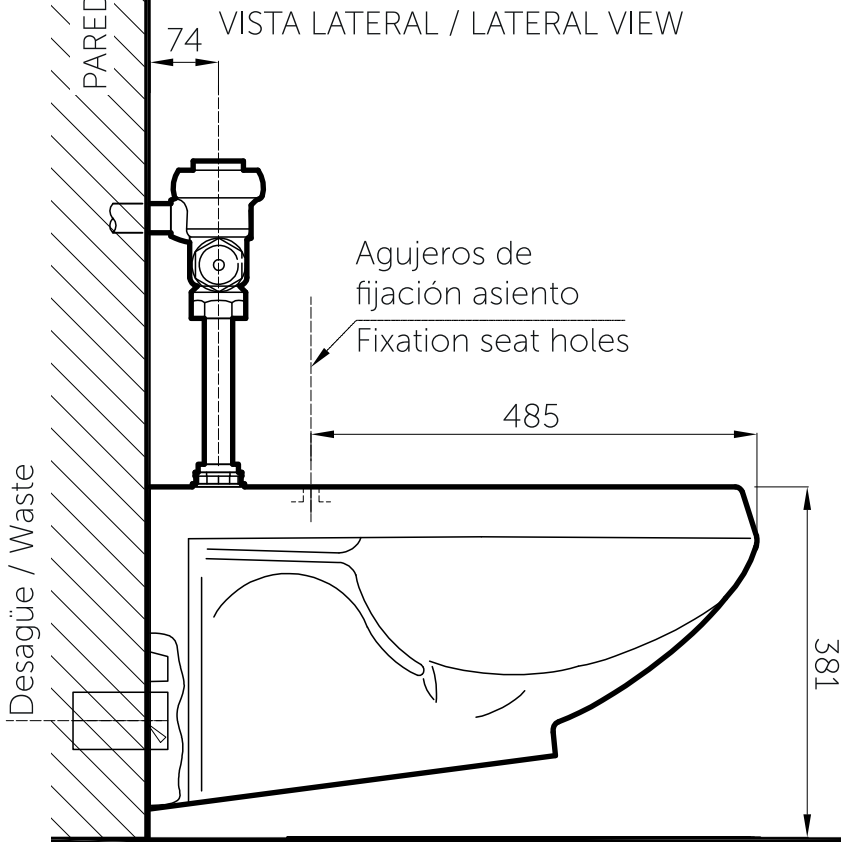
Plano técnico

Technical Drawing

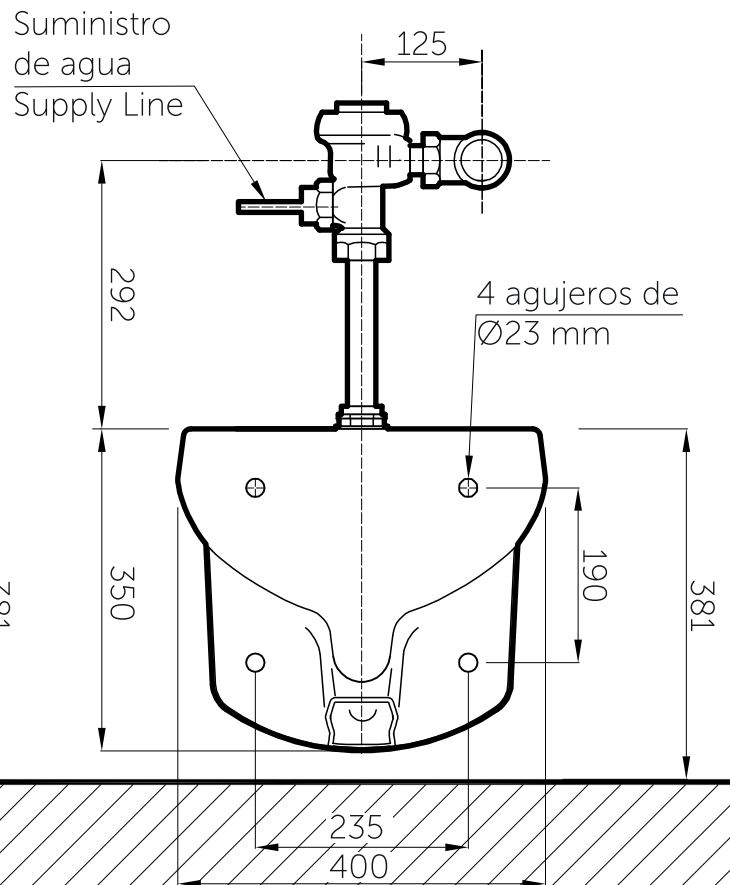
VISTA SUPERIOR / TOP VIEW



VISTA LATERAL / LATERAL VIEW



VISTA FRONTAL / FRONT VIEW



PISO TERMINADO / FINISHED FLOOR

Unidades / Units: mm.